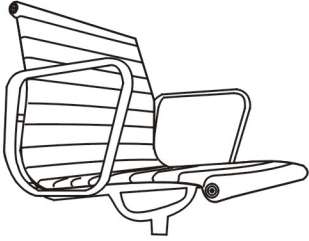
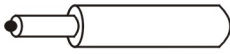
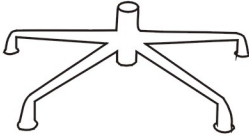
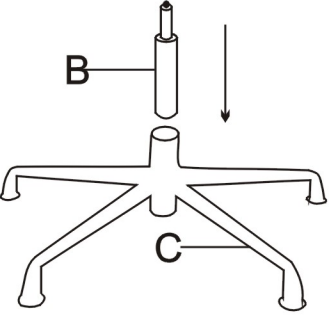
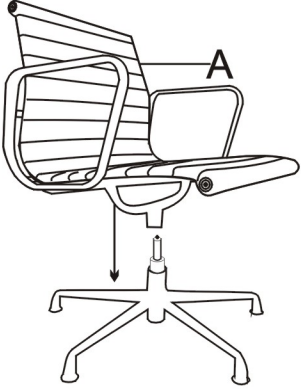



# Assembly Instructions

Parts Listing					
#	Description	Qty	#	Description	Qty
A		1x	B		1x
			C		1x

<p>STEP1:</p> 	<p>STEP2:</p> 	<p>STEP3:</p> 
---	---	---

**Thank you for purchasing this chair.**

**Notes:**

- 1. Before commencing assembly of your chair, please check that you have all parts.**
- 2. Don't put your chair to a wet or acidic environment.**
- 3. Don't use edge tool collision your chair.**