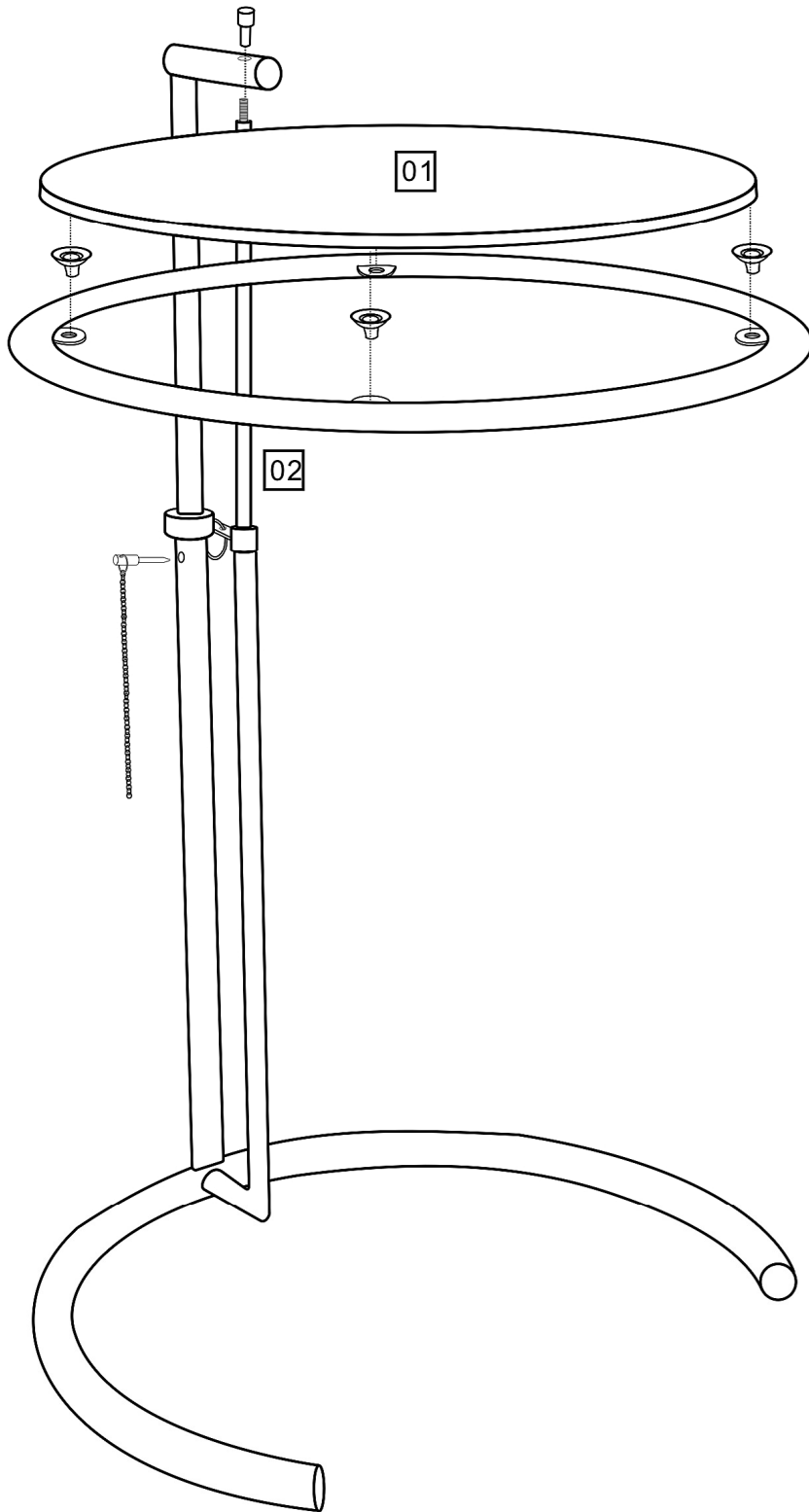
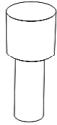




COMPONENT PARTS

FITTINGS



- Ⓐ  *1
- Ⓑ  *4
- Ⓒ  *1

COMPONENT CHECKLIST

PART	No.	Qty.	
Tabletop	01	1	<input type="checkbox"/>
Tube	02	1	<input type="checkbox"/>