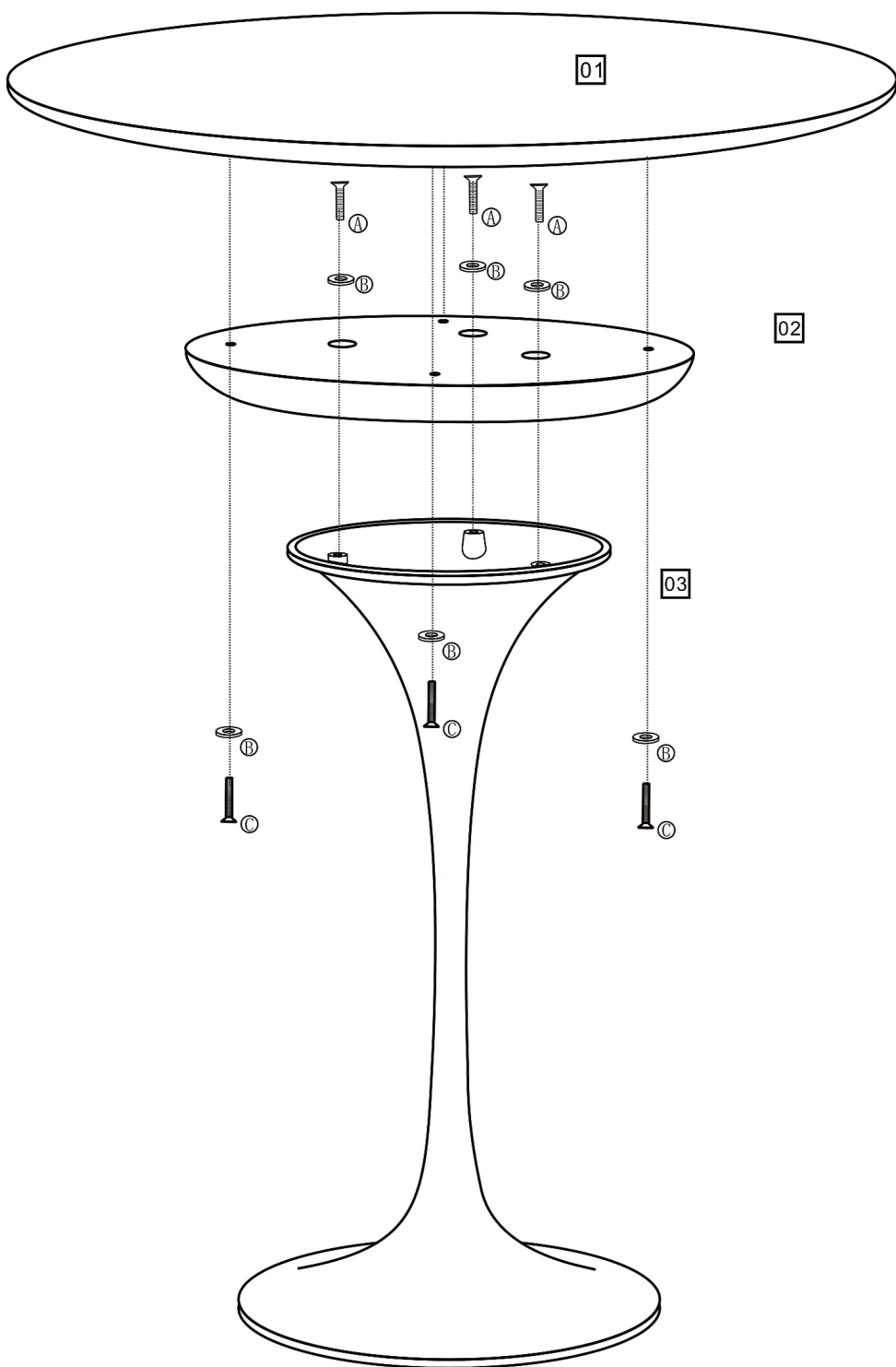


COMPONENT PARTS

FITTINGS



Ⓐ  *3

Ⓑ  *7

Ⓒ  *4

COMPONENT CHECKLIST

PART	No.	Qty.	
Tabletop	01	1	<input type="checkbox"/>
Tray	02	1	<input type="checkbox"/>
Tube	03	1	<input type="checkbox"/>

TOOLS REQUIRED



Allen key (supplied)