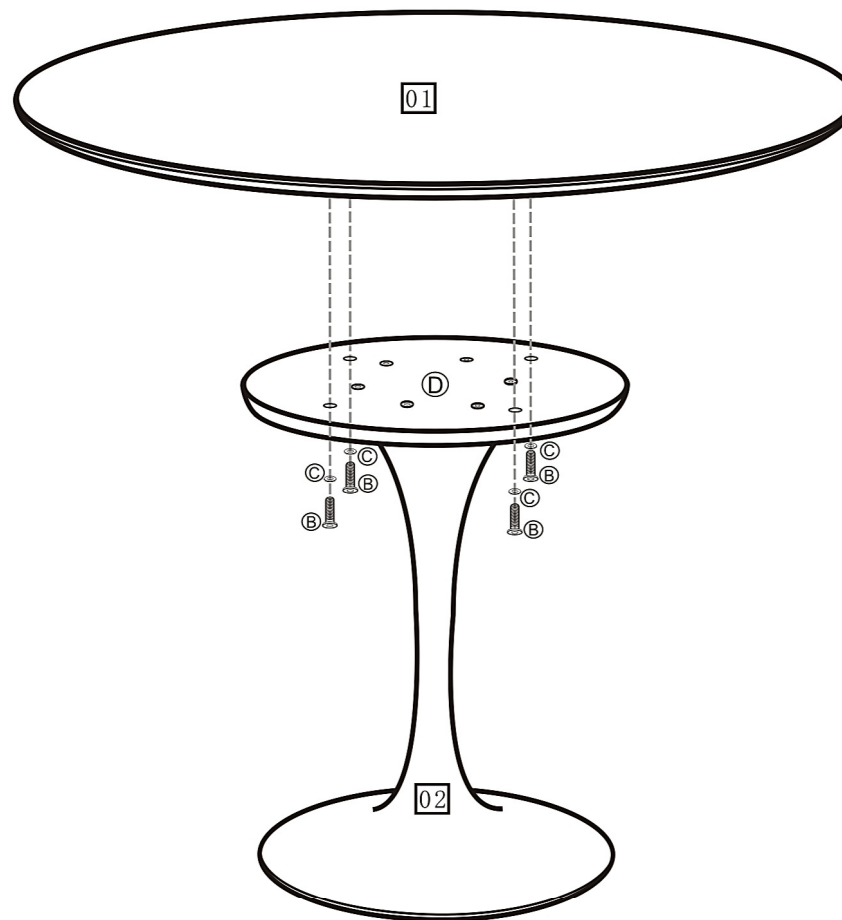
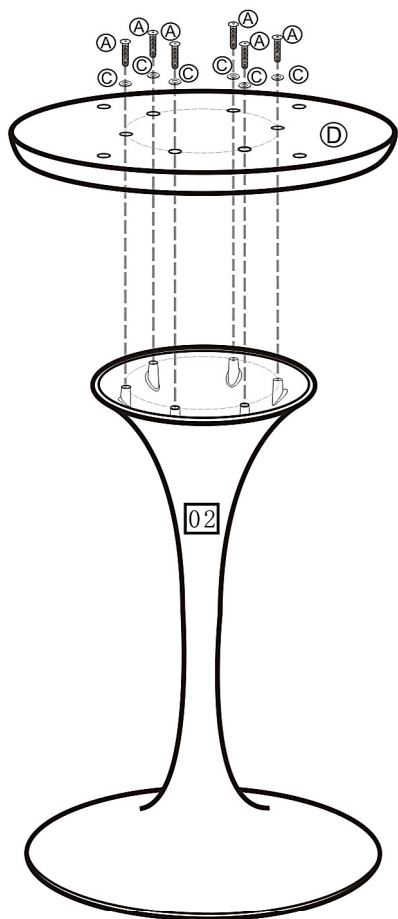






First

Second




- (A)  *6
- (B)  *4
- (C)  *10
- (D)  *1

COMPONENT CHECKLIST

PART	No.	Qty.	
Top	01	1	<input type="checkbox"/>
Leg	02	1	<input type="checkbox"/>

TOOLS REQUIRED


Allen key (supplied)


Allen key (supplied)